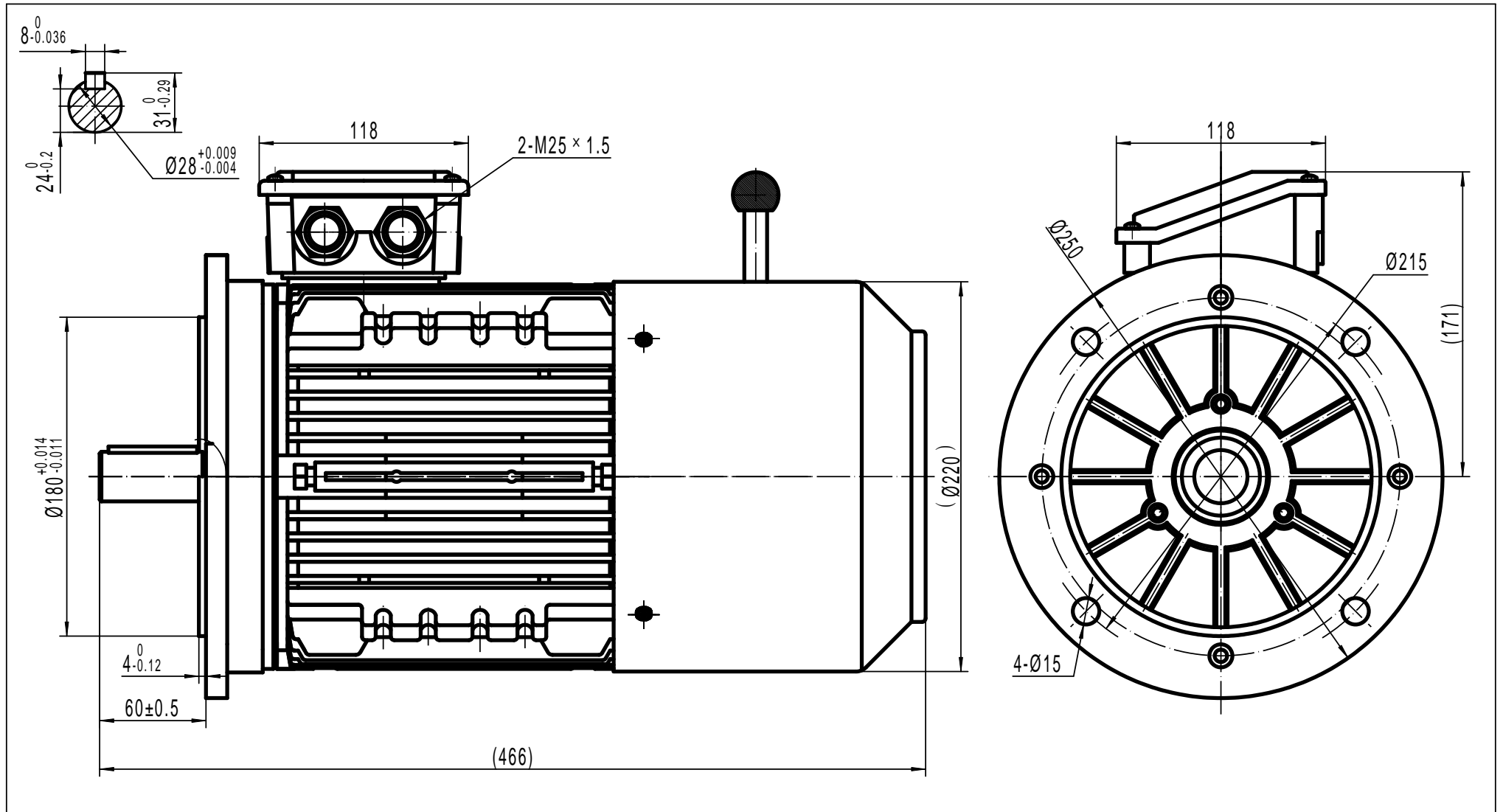


OUTLINE DIMENSIONAL DRAWING



TECHTOP AUSTRALIA PTY LTD	
FRAME	TB 112A B5
DATE	DRAWING NO.
2013/10/22	1ST105.055.001-024 A